

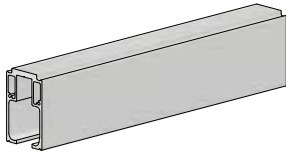
CC-810

Installation Instructions

Zero Clearance Catch 'N' Close System

- Prevents bouncing and slamming of sliding doors
- Can be installed on both opening and closing ends of doors as narrow as 30 in [762 mm]
- Cycle tested up to 150,000 times
- For up to 300 lbs. [136 kg] using CC-810 with CC-3

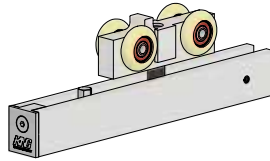
Parts List



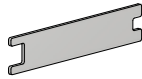
CC-904 Top Mount Track x length (1)
Length = 2 x door width, example:
36 in [914 mm] door = 72 in [1829 mm] track



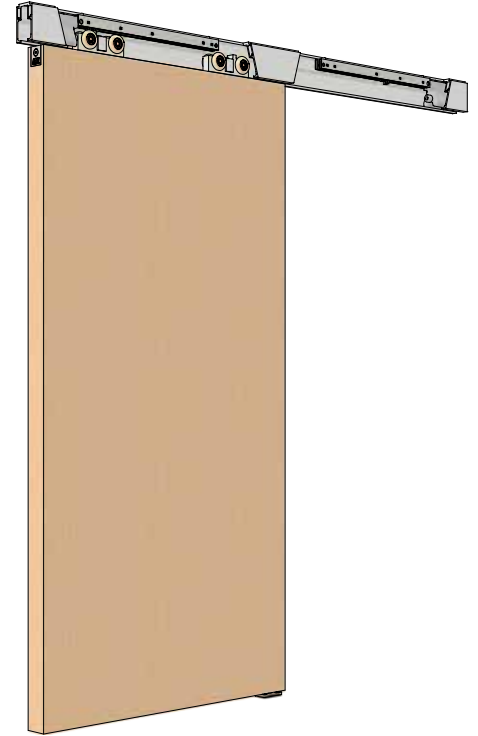
C-819 5/32" Allen Key (1)



CC-810 Zero Clearance Catch 'N' Close Hanger (2)
Complete assembly

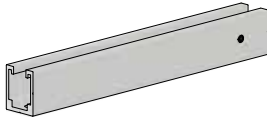


C-818 Adjustment Wrench (1)

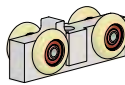


Complete CC-810 kit illustrated.
Cut-outs in track to expose components.

Disassembled Parts' List



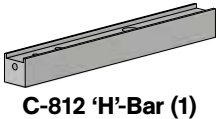
C-811 'U'-Housing (1)



CC-912 Hanger Body (2)
c/w wheels



C-815 End Cap (1)



C-812 'H'-Bar (1)



C-814 Hanger Stud (1)



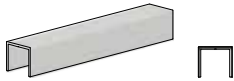
C-816 Safety Lock Bolt (1)



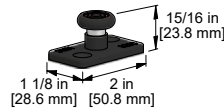
1/4-20 x 1-1/4" Flathead Socket Cap Screw (1)
[FT41]



#10 x 1-3/4" Flathead Screws (10)
[FT9]



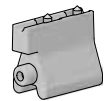
C-914 Guide Channel x length (1)
Length = door width, example:
36 in [914 mm] door = 36 in [914 mm] guide channel less set-backs if desired



C-913 Floor Guide (1)



Catch 'N' Close Closing Device (2)
See details in instruction steps



CC-101HD Catch 'N' Close In-Track Stops (2)



#8 x 3/4" Pan Head Screws (4)
[FT2]

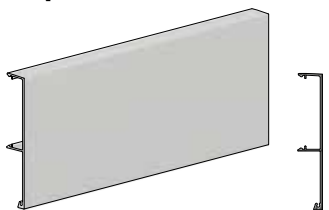


#10 x 1-1/2" Flathead Screws (2)
[FT7]

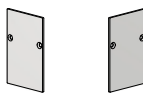


#10 x 1-1/2" Self-Drilling Screws (4)
[FT5]

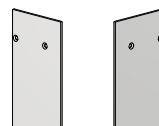
Optional Add-on Products



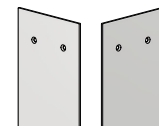
CC-940 Snap-on Fascia x length
Length = same as track length, example:
72 in [1829 mm] track = 72 in [1829 mm] fascia



CC-941 End Caps (2)
Left and right



CC-942 End Caps (2)
Left and right



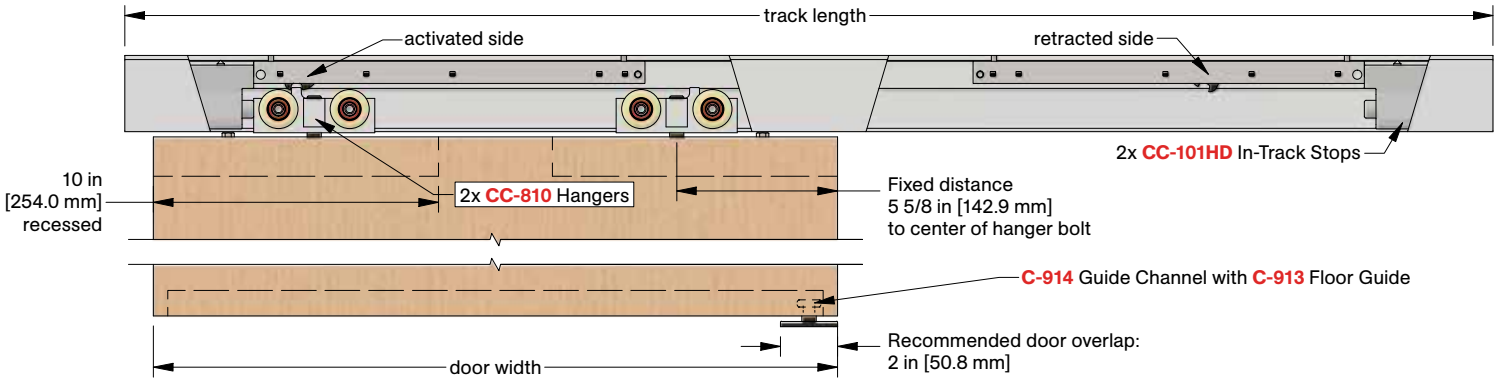
CC-943 End Caps (2)
Left and right



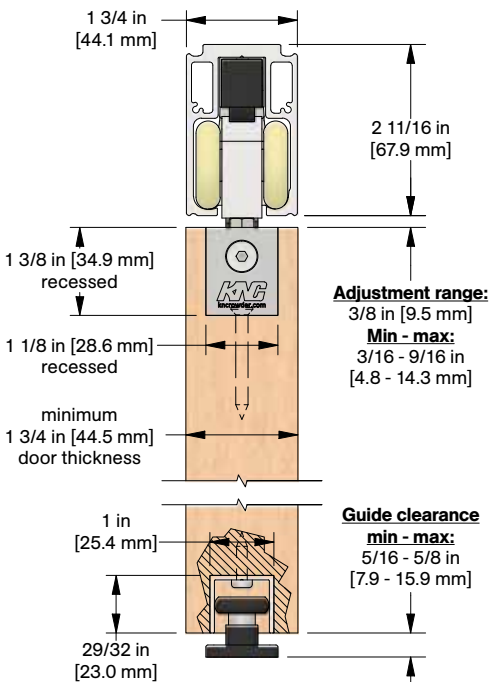
#4 x 5/16" Flathead Screws for end caps (2)
[FT29]

Product Details and Dimensions

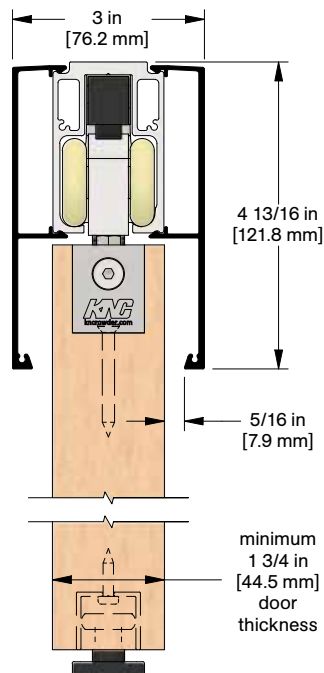
Elevation View



Section View

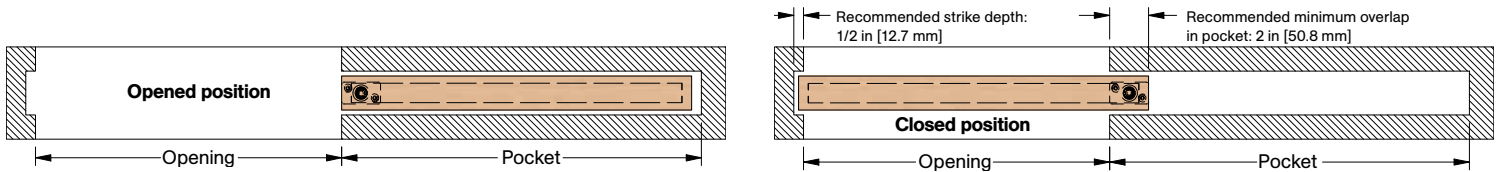


Optional CC-940 Snap-on Fascia, illustrated as solid black profile



Typical installation location for floor guides

For pocket door applications



Installation Steps

Step #1:

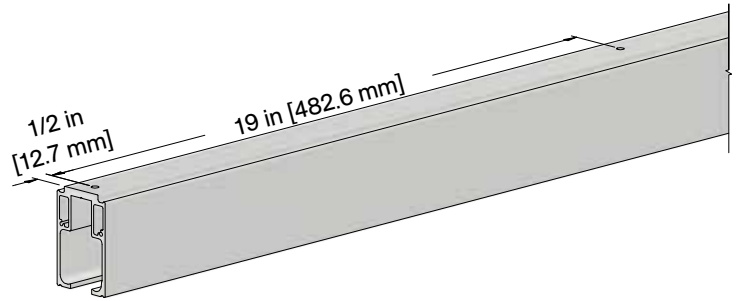
Determine door size, header height, track position, and bottom clearance based on kit code ordered by using dimensions shown in detail views on previous page.

Step #2:

Note: If access to the ends of track is not available, steps #3 and 4 must be completed before step #2.

Cut CC-904 aluminum track to size if required, typically 2 x door width. Locate and pre-drill holes through center of track. Secure track to structural support/backing.

Note: Starting hole locations at each end of track should be 1/2 in [12.7 mm] from end and then 19 in [482.6 mm] from first hole. Minimum #10 screws or 1/4 in [6.3 mm] structural bolts recommended to secure tracks. Solid backing is required. Spacing is recommended to be between 12-16 in [304-406 mm] on center. Consult structural engineer to ensure adequate support and fastening.



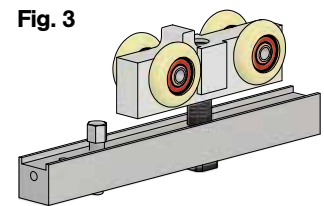
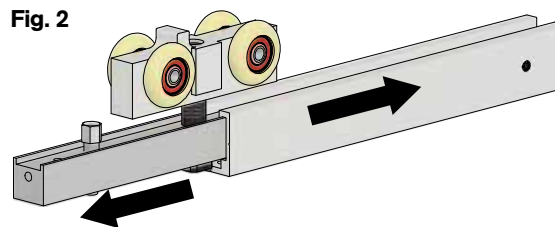
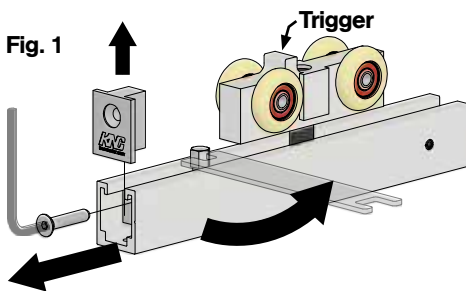
Step #3:

Disassemble CC-810 Catch 'N' Close Hangers as shown below:

Fig. 1 Remove 1/4-20 x 1-1/4" Flathead Socket Cap Screw [FT41] with supplied C-819 5/32" Allen Key, lift out C-815 End Cap and loosen C-816 Safety Lock Bolt with supplied C-818 Adjustment Wrench.

Fig. 2 Slide hanger assembly out of the C-811 'U'-Housing

Fig. 3 Complete disassembled hanger assembly, 2 x required



Step #4:

Slide one (1) CC-810 Hanger Assembly (★) with trigger facing end of track and one (1) CC-101HD In-Track Stop (●) into each end of track, as shown below.

Note: Leave screws on CC-101HD In-Track Stops (●) loose to allow stops to slide freely within track. Rubber bumpers of each stop (●) should face inward, toward middle of track.

- ★ CC-810 Hanger
- CC-101HD In-Track Stops

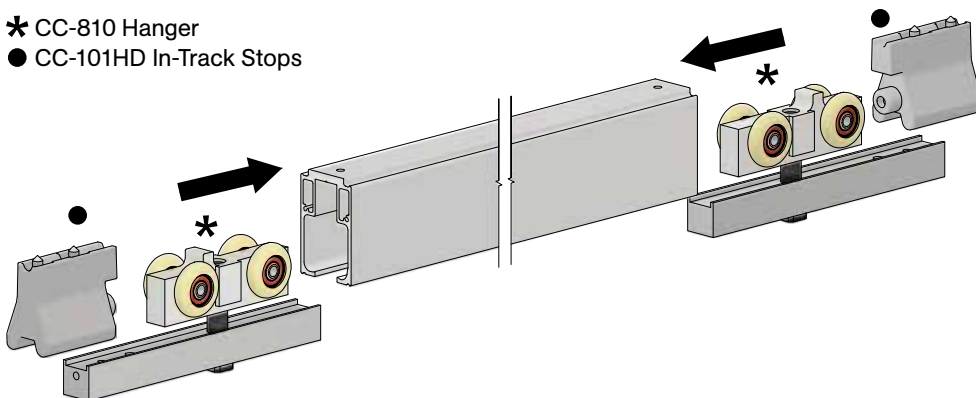
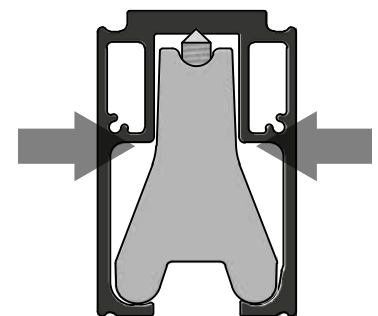
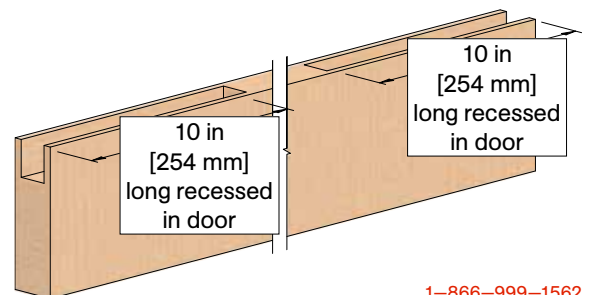
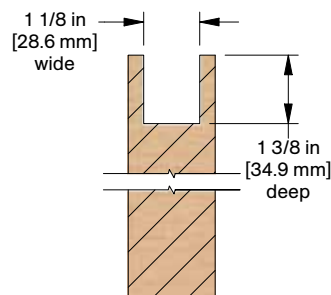


Illustration below shows correct positioning of stops in track

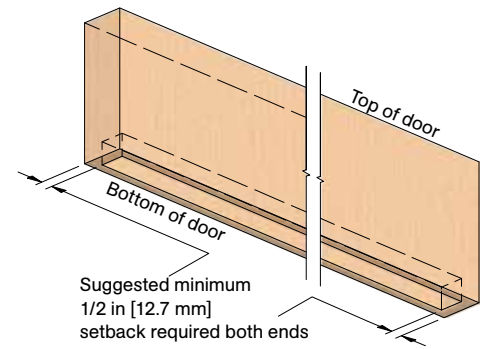


Step #5:

Prepare door to receive C-811 'U'-Housing flush with top edge of door. Slots must be 1 1/8 in [28.6 mm] wide, 1 3/8 in [34.9 mm] deep, and 10 in [254 mm] long. See right.

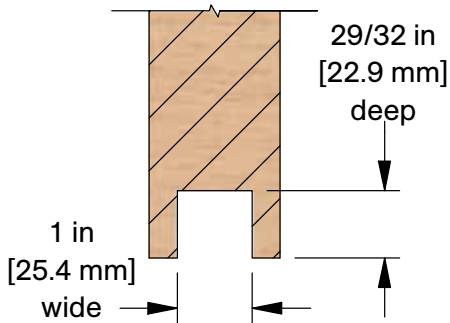


Note: If door has sufficient overlap, guide channel can be recessed into door without cutting a full-length slot in door. If guide channel will be fully recessed, it is recommended to have at least 1/2 in [12.7 mm] door material at each end of door before start of guide channel slot.



Step #6:

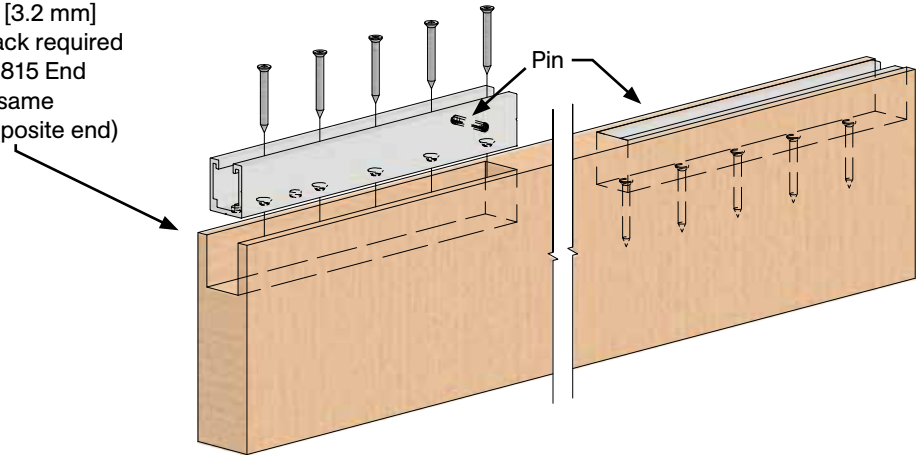
Prepare C-914 Guide Channel slot in bottom of door:
 1 in [25.4 mm] wide in center of door,
 29/32 in [23 mm] deep and set back
 1/2 in [12.7 mm] from both edges of door.
 Make slot as accurate as possible for
 secure fit and neat appearance.



Step #7:

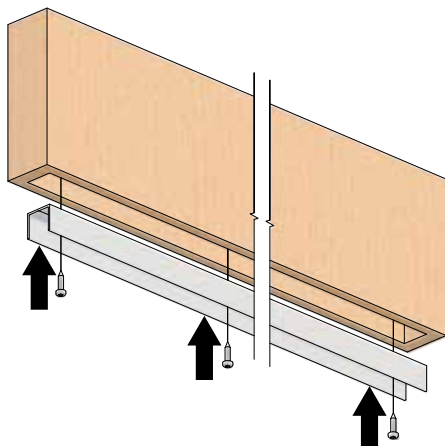
Place C-811 'U'-Housing into slot created in **step #5** with pin towards the center of the door in order to accommodate C-815 End Cap, see illustration below for details. Secure to door with (5) #10 x 1-3/4" Flathead Screws [FT9]. Repeat for opposite end of door.

1/8 in [3.2 mm] setback required for C-815 End Cap (same on opposite end)



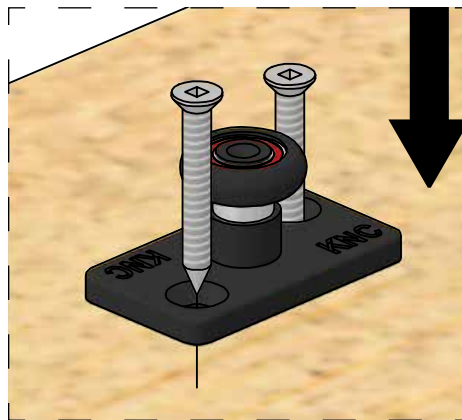
Step #8:

Cut C-914 aluminum guide channel to correct length as required. Drill holes in C-914 Guide Channel and pre-drill holes in door. Locate C-914 Guide Channel in slot and secure channel into place with (4) #8 x 3/4" Pan Head Screws [FT2].

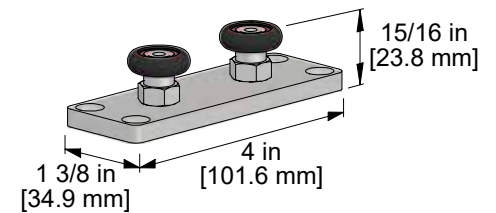


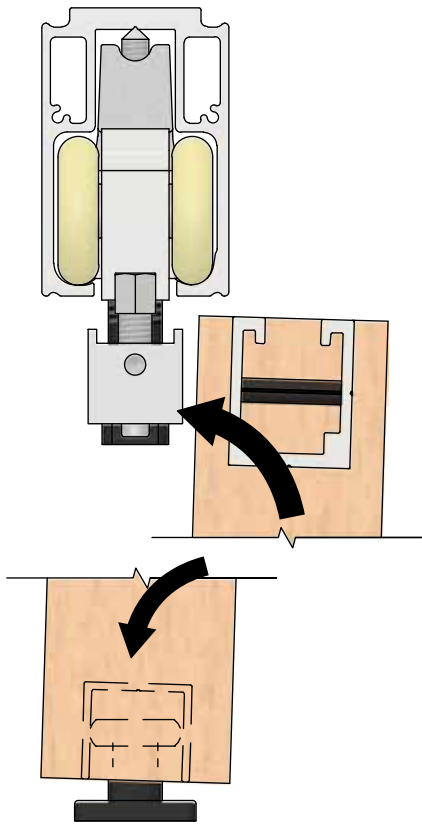
Step #9:

Position C-913 Guide per typical installation location details on page 2 and secure to floor with (2) #10 x 1-1/2" Flathead Screws [FT7].



For 120 in [3048 mm] kits and up, C-913-2 Double Roller Floor Guide is supplied. Minimum 4 in [101.6 mm] overlap required.

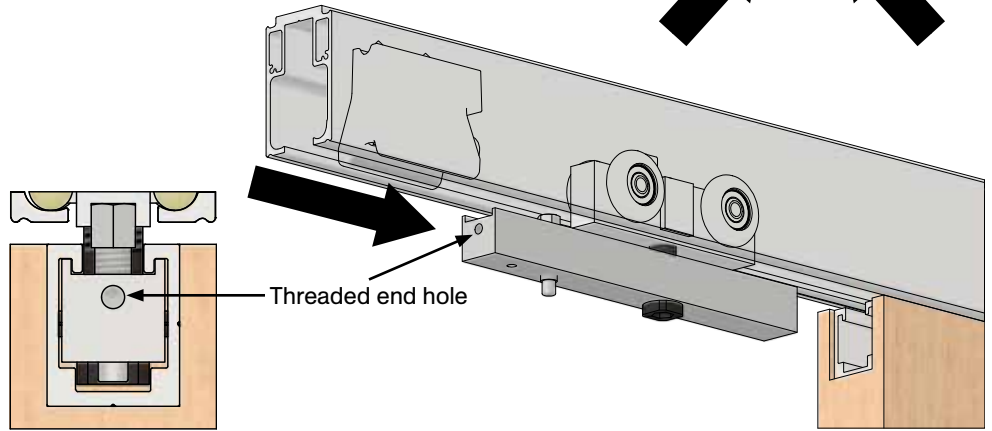
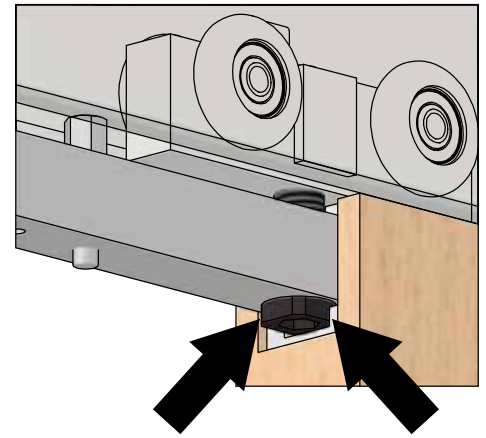




Step #10:

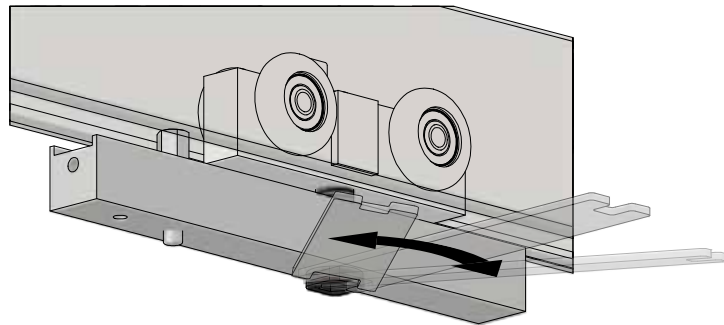
Raise door and position over guide. Slide the C-812 'H'-Bar into C-811 'U'-Housings previously installed on doors.

Note: Threaded end hole must face outward. The square base of the C-814 Hanger Stud must be aligned with lower channel slot of C-811 'U'-Housing. The purpose of this square base is to prevent rotation of bolt, therefore, securing height adjustment. Repeat step for opposite end of door.



Step #11:

To adjust door height and plumb, slide C-812 'H'-Bar out of C-811 'U'-Housing and adjust C-814 Hanger Stud with C-818 Adjustment Wrench. Repeat until required height and plumb is achieved.

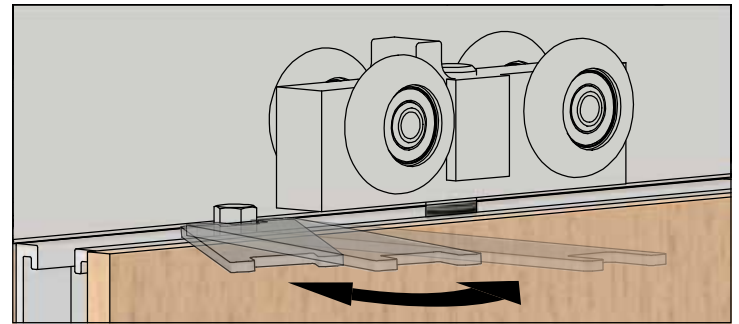


Hanger adjustment view

Step #12:

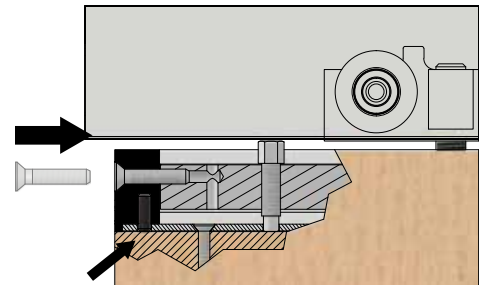
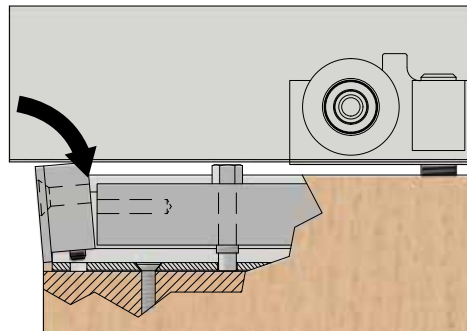
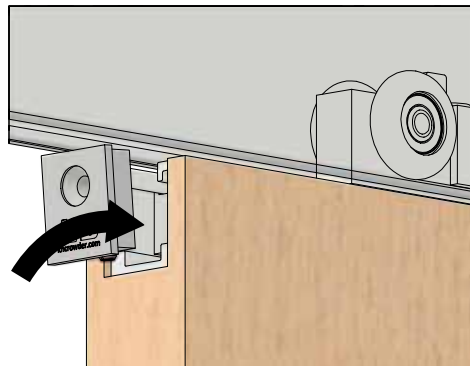
Once adjustments have been finalized, secure C-816 Safety Lock Bolt with C-818 Adjustment Wrench.

Note: This custom bolt has been manufactured to engage a pre-drilled position in C-811 'U'-Housing in order to prevent accidental disengagement.



Step #13:

Install C-815 End Caps with lower pin engaging hole in bottom of C-811 'U'-Housing. Secure end cap with 1/4-20 x 1-1/4" Flathead Socket Cap Screw [FT41] by using C-819 5/32" Allen Key.



End cap pin must engage with C-811 'U'-Housing

Step #14:

After door has been installed, position door approximately 5-10 in [127-254 mm] away from final position at one end, shown below with left side. Push loose CC-101HD Stop, installed in **step #4**, against hanger body.



Step #15:

With CC-101HD Stop loose, slide door to final/desired position of door as shown below.

Note: Ensure that strike and trim thickness are taken into consideration for final/desired position of door.



Step #16:

Once final position is achieved, slide door away from CC-101HD Stop. Lock CC-101HD Stop in position by tightening two cap screws on CC-101HD Stop with 3/16 in allen key. CC-101HD is secured by friction fit with cone point screws.



Step #17:

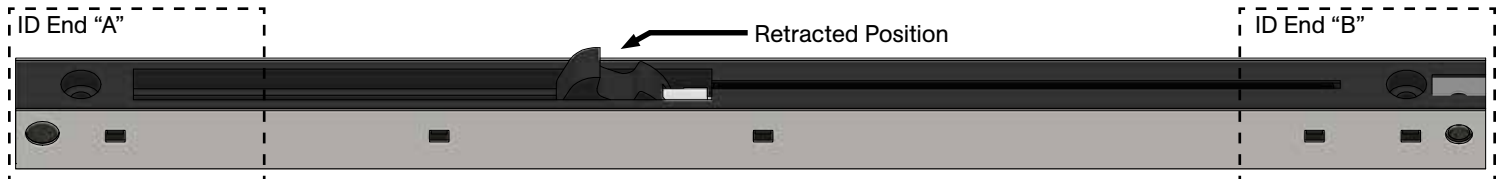
Repeat **steps #14 - 16** for opposite side.

Note: Ensure that strike and trim thickness are taken into consideration for final/desired position of door.

Step #18:

Before installing Catch 'N' Close Closing Devices, ensure devices are in retracted position as shown below. If not in required position, slide hook down until it locks in position.

Note: Requires significant finger pressure.



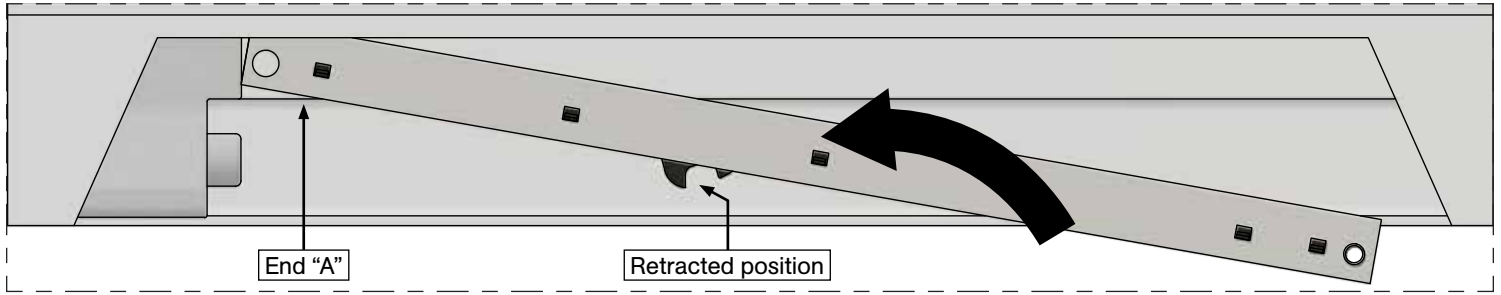
Important Catch 'N' Close Closing Device Notes:

If doors are 200 lbs. [90 kg] or less, ensure CC-2 Catch 'N' Close Closing Devices are used.

If doors are minimum 200 lbs. [90 kg] up to 300 lbs. [136 kg], ensure CC-3 Catch 'N' Close Closing Devices are used.

Step #19:

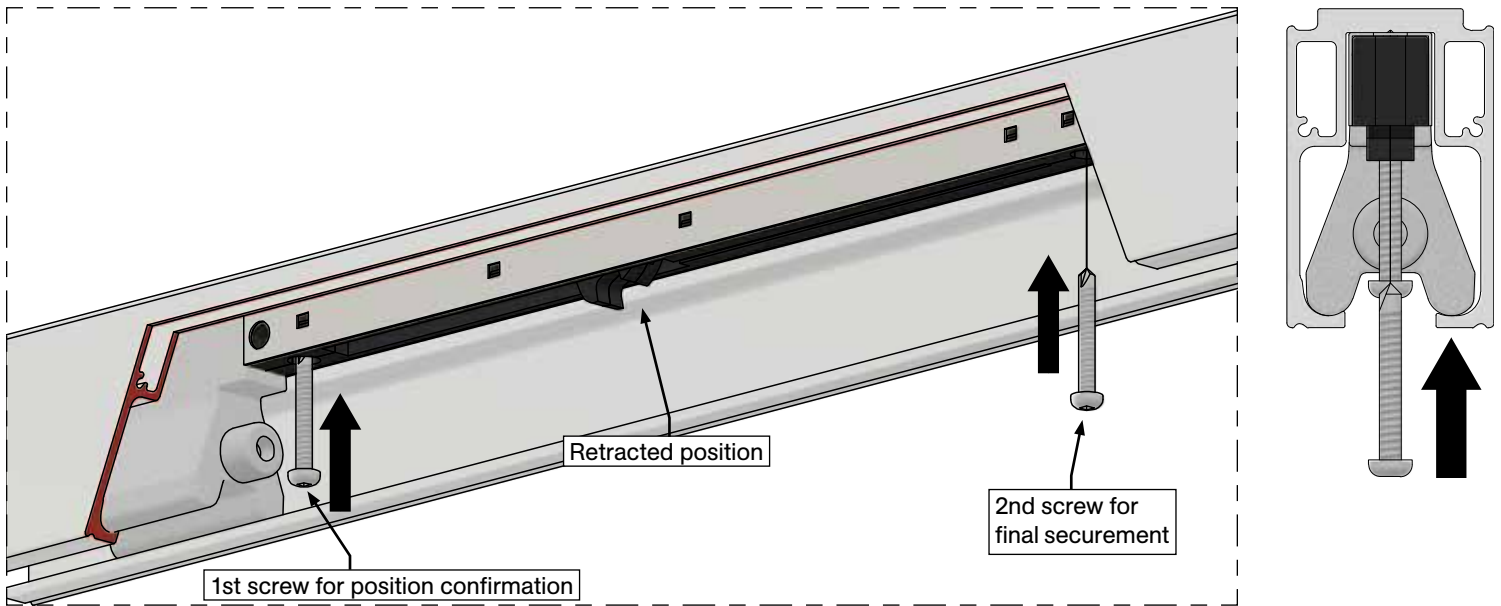
Place Catch 'N' Close Closing Devices into track with leading end "A" resting against upper body on CC-101HD Stops installed previously. See illustration right:



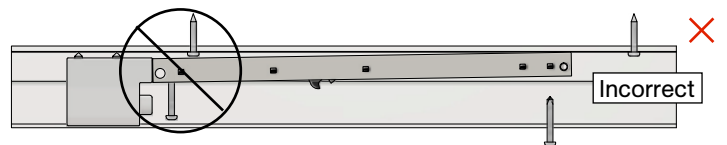
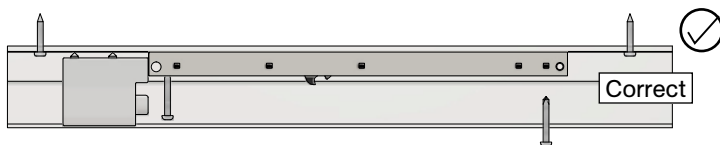
Step #20:

Secure Catch 'N' Close Closing Devices to track with (2) #10 x 1-1/2" Self-Drilling Screws [FT5]. Repeat for opposite end with Catch 'N' Close Closing Devices installed in reverse as shown on front page in "Elevation View" illustration.

Note: If using impact driver to secure Catch 'N' Close Devices, do not overtighten screws. It is recommended to pre-drill track with Ø9/64 in [3.6 mm] drill bit. Secure first screw closest to CC-101HD Stop only and test system by sliding door to activate Catch 'N' Close. If in correct position, secure with second screw. Remove any drill fillings from inside track.



Note: Ensure area of track where Catch 'N' Close Device will be installed is free of fasteners. Securing Catch 'N' Close Device on top of a fastener may lead to operation issues or damage to the system.



Step #21:

Test complete Catch 'N' Close system by sliding door to both left and right to activate closing devices.

Optional CC-940 Fascia and CC-941/CC-942/CC-943 End Cap Installation

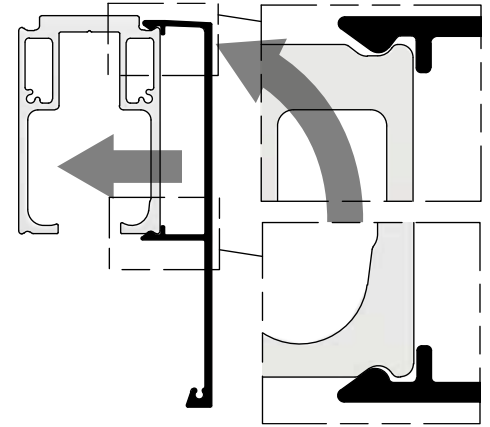
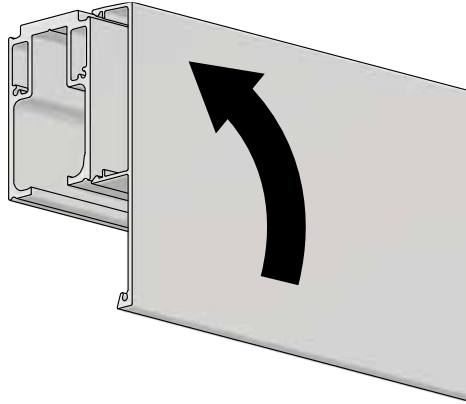
Step #F1:

Cut CC-940 Fascia to correct length if required. Typically, fascia is same length as track previously installed.

Step #F2:

Lift fascia up to track and snap on as shown right.

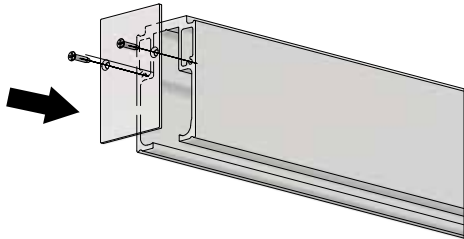
Note: If fascia is loose and a tighter fit is desired, use a rubber mallet on inside leg of fascia to reduce gap at +/-24 in [610 mm] intervals.



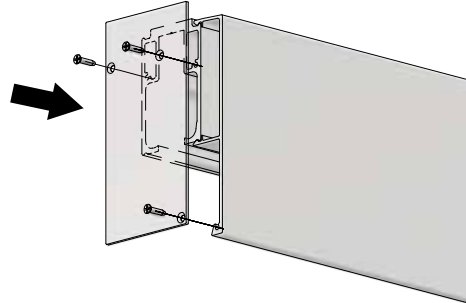
Step #F3:

Install end cap as shown below with the supplied #4 x 5/16" Flathead Screws [FT29], 2 - 4 screws per end cap provided.

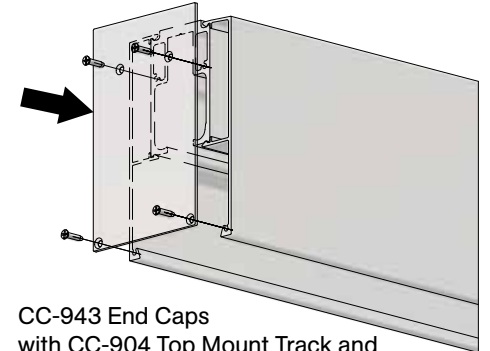
Note: Do not install with impact driver.



CC-941 End Cap
with CC-904 Top Mount Track only



CC-942 End Caps
with CC-904 Top Mount Track and
one (1) CC-940 Fascia



CC-943 End Caps
with CC-904 Top Mount Track and
two (2) CC-940 Fascia

Troubleshooting

Issue	Solutions
Chatter/noise when door is sliding	Ensure there are no aluminum shavings within track. Shavings can become embedded in nylon tires and cause noise during operation.
Door is hard to move	Ensure guide channel secured to bottom of door is not over-tightened as this could cause sides of guide channel to "pinch" guide. Remove door and check guide channel by rolling guide roller in channel to ensure smooth travel. There should be little to no resistance. Ensure door is not dragging on bottom of floor/guides and adjust height of door as required.
Door rattles	Ensure locking nuts and screws on hangers are secured and not loose.
Door is not engaging closing device	Ensure hangers are correctly oriented. See step #4 - 5 . Ensure Catch 'N' Close Closing Devices are in correct retracted or extended position prior to sliding door closed/open. See step #18 .
Replacing the Catch 'N' Close Device	The Catch 'N' Close track hardware system has been designed for easy installation. Remove two screws that hold Catch 'N' Close Closing Devices in place and replace device with a new one if failure occurs.